

**ADDENDUM NO. ONE**  
**VAC TRUCK DUMP STATION**  
**PROJECT NO. 23-143**  
**CITY OF THORNTON, CO**

TO: Prospective Bidders and all others concerned

DATE: October 26, 2023

PURPOSE: To provide additional information and clarification to the solicitation documents for the above-referenced Project.

1. The following shall Add to, Modify, and/or Delete portions of the Project Manual and Drawings for the Project-noted above.

A. The Drawings shall be modified as follows:

- Sheet 7 of 10 of the Project Drawings shall be replaced by the attached revised Sheet 7, titled Addend No. 1 Attachment.

2. The following questions and answers are provided for additional clarification to the Contract Documents.

Question 1: "Is there a detail for the connection of the W16x36 beam to the 12" Concrete Wall?";

Answer 1: See attached revised drawing.

Question 2: "Is there an Engineer's Opinion of Probable Cost?"

Answer 2: The EOPC is approximately two hundred fifty thousand dollars (\$250,000).

3. The Pre-Bid Conference Sign-In Sheet is attached for general information.

4. This Addendum becomes part of the Contract Documents. All other conditions and requirements of the Contract Documents will remain unchanged. Receipt of this Addendum must be acknowledged in the space provided on the Bid Proposal Form in the Project Manual.

**END OF ADDENDUM NO. ONE**

DocuSigned by:  
*Patrick Hinterberger*  
6DA8F281E4154C8...

10/26/2023

Patrick Hinterberger  
Contracts Supervisor

Date

NOTE  
THIS DOCUMENT HAS BEEN  
RELEASED BY OLSSON ONLY  
FOR REVIEW BY REGULATORY  
AGENCIES AND OTHER  
PROFESSIONALS, AND IS  
SUBJECT TO CHANGE. THIS  
DOCUMENT IS NOT TO BE  
USED FOR CONSTRUCTION.

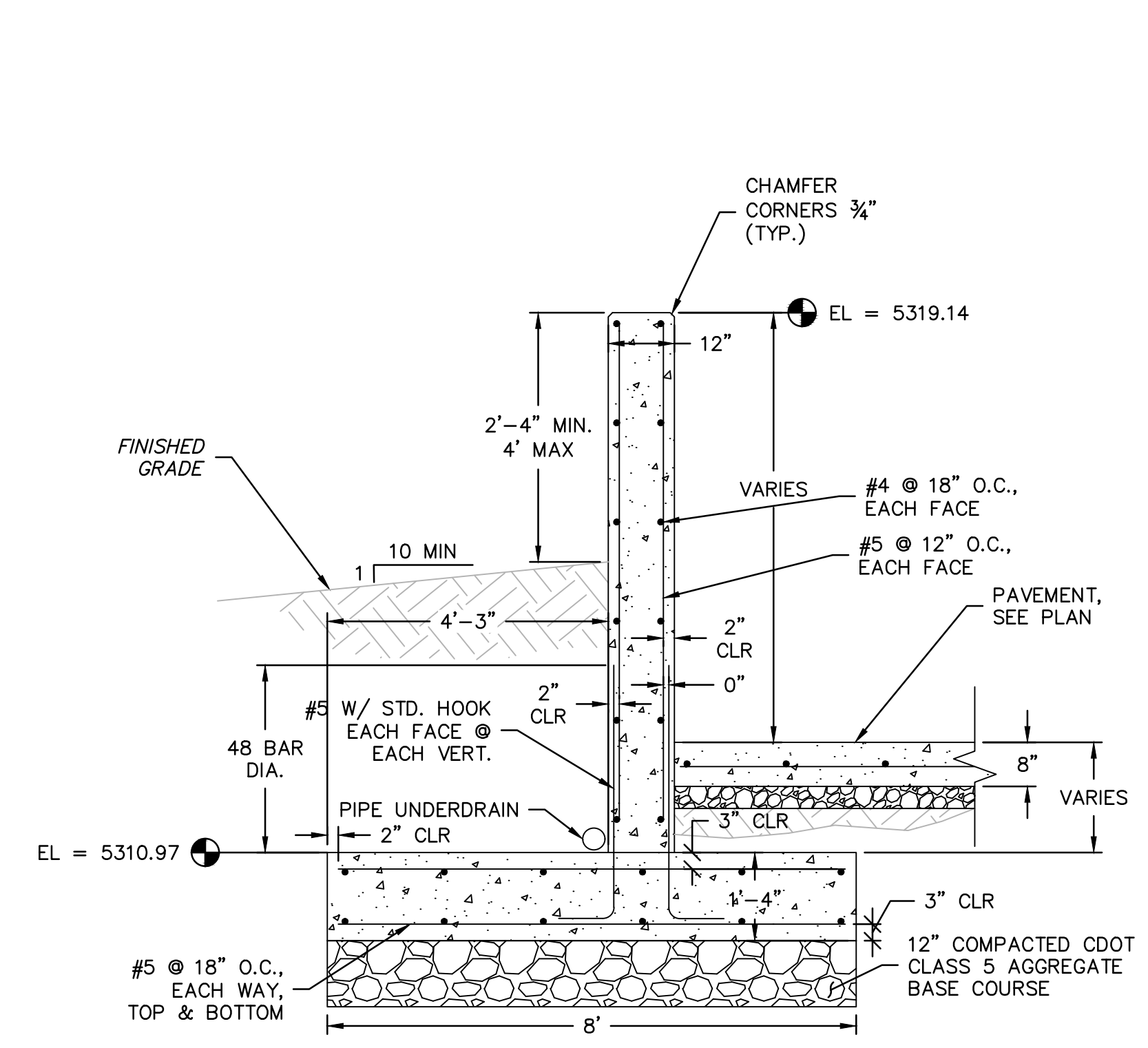
OLSSON ASSUMES NO  
RESPONSIBILITY FOR EXISTING  
UTILITY LOCATIONS  
(HORIZONTAL OR VERTICAL).  
THE EXISTING UTILITIES SHOWN  
ON THIS DRAWING HAVE BEEN  
PLOTTED FROM THE BEST  
AVAILABLE INFORMATION. IT IS  
HOWEVER THE RESPONSIBILITY  
OF THE CONTRACTOR TO FIELD  
VERIFY THE LOCATION OF ALL  
UTILITIES PRIOR TO THE  
COMMENCEMENT OF ANY  
CONSTRUCTION ACTIVITIES.

REV. NO.	DATE	REVISIONS DESCRIPTION

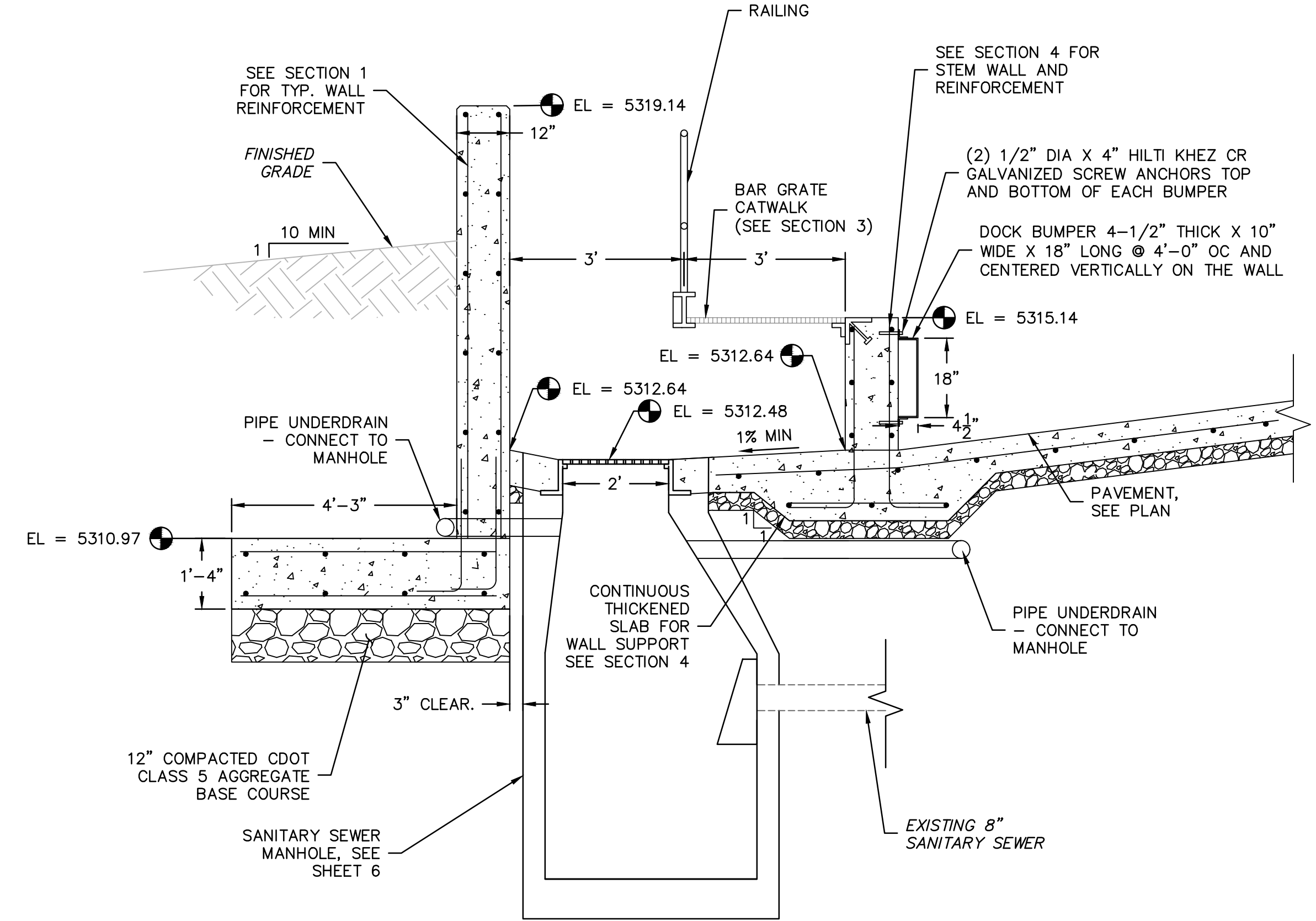
2023

STRUCTURAL DETAILS  
THORNTON VAC TRUCK DUMP STATION  
THORNTON, CO

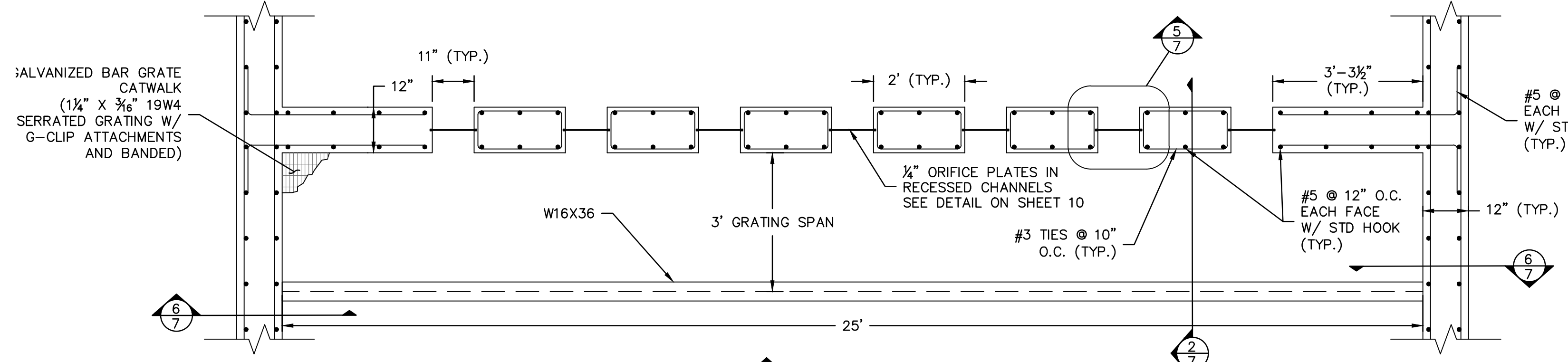
drawn by: KP  
checked by: CU  
approved by: DK  
QA/QC by: DK  
project no.: 018-2048  
drawing no.: W TLL 82042  
date: 10.25.2023



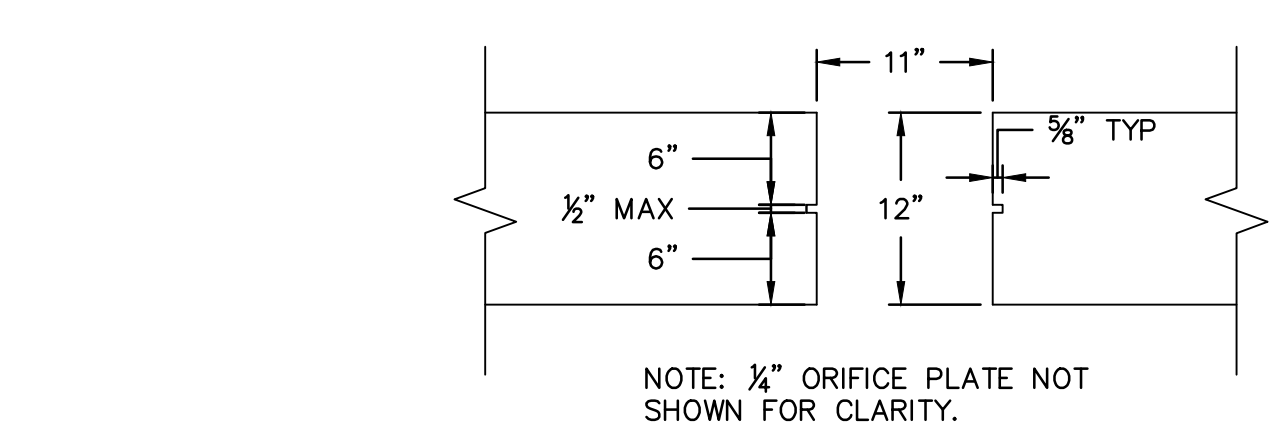
SECTION 1  
SCALE: 1/2" = 1'-0"



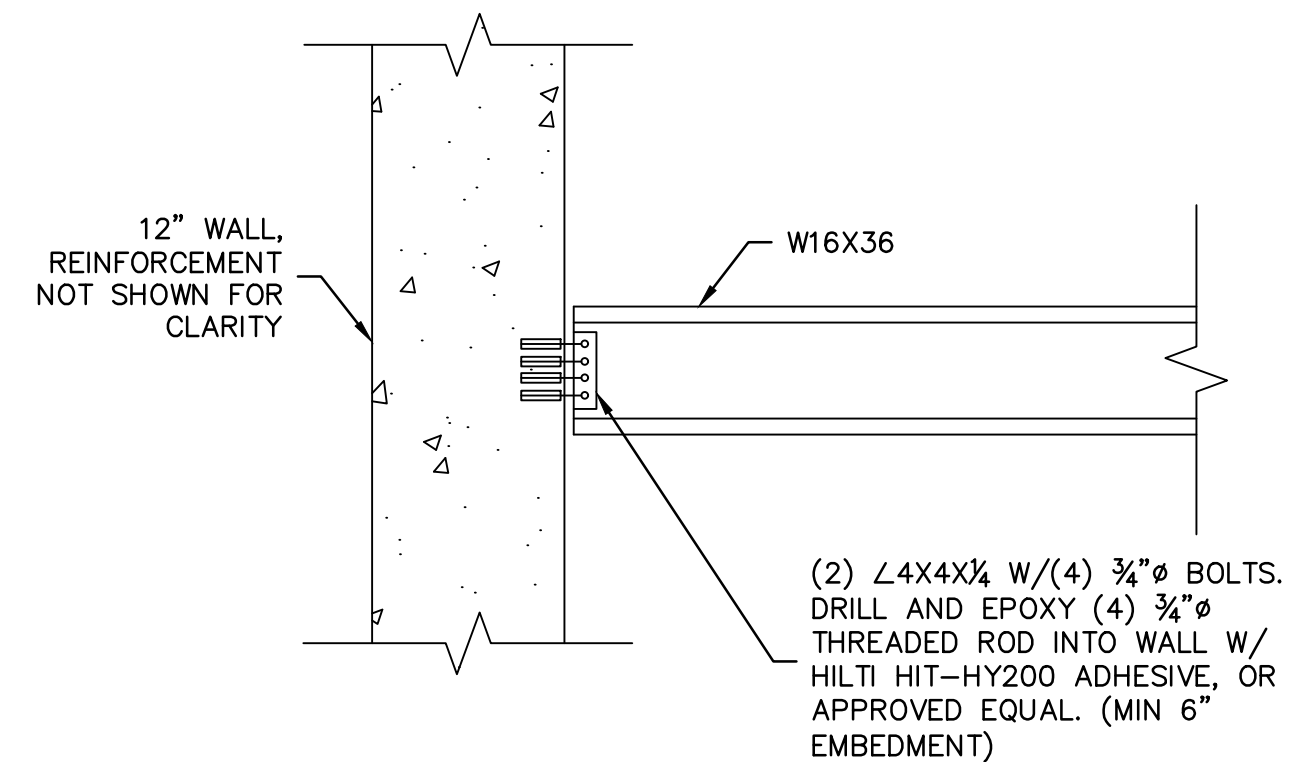
SECTION 2  
SCALE: 1/2" = 1'-0"



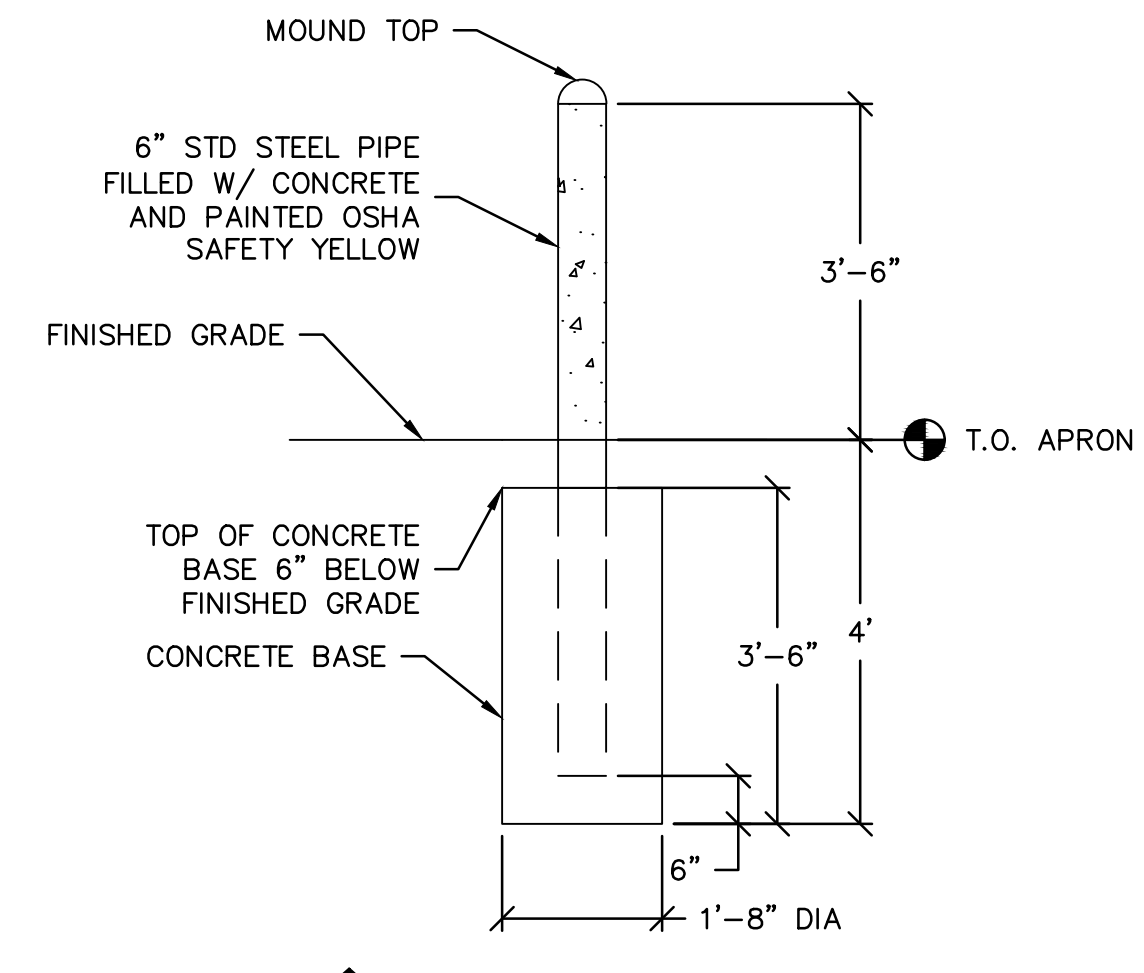
PLAN VIEW  
SCALE: 1/2" = 1'-0"



SECTION 5  
SCALE: 1" = 1'-0"




SECTION 6  
SCALE: 1" = 1'-0"



SECTION VIEW OF BOLLARD  
SCALE: 1/2" = 1'-0"

CALL UTILITY NOTIFICATION  
CENTER OF COLORADO  
811  
CALL 3-BUSINESS DAYS IN ADVANCE  
BEFORE YOU DIG, GRADE, OR EXCAVATE  
FOR THE MARKING OF UNDERGROUND  
MEMBER UTILITIES.



**ADDENDUM NO. 1**  
**FOR BID**  
NOT TO BE USED FOR CONSTRUCTION  
October 25, 2023  
DATE PRINTED  
OLSSON

DWG: F:\2018\2001-2500\018-2048-design\AutoCAD\final plans\Sheets\WTR\DWG\W\_SITE\_82048.dwg  
 DATE: Oct 25, 2023 8:27am  
 USER: gmeidl  
 FloorPlan-x-ConsultantExport\FloorPlan  
 171001X\_P-Site  
 W\_DESIGN\_82048

# PRE-BID MEETING

DATE: 10/24/23 TITLE: Vac Truck Dump Station

BID/PROJECT NO: 23-143 TIME: 11AM CONFERENCE ROOM: IMC Community Room

NO.	NAME / FIRM	E-MAIL	PHONE
1	Patrick Hinterberger/ COT	Patrick.hinterberger@ThorntonCO.gov	303-538-7648
2	DAVID KRICKBAUM / OLSSON	DKRICKBAUM@Comcast.NET	303-374-3133
3	Gabriel Meidl / Olsson	gmeidl@olsson.com	918-397-3070
4	Abree Karraker / Glacier construction	abree@gcci.com	303-999-1292
5	Chantel Lucero / American West	Clucero@trustawc.com	303-667-3925
6	Kit Bodger / Lillard & Clark	kbodger@lillardclark.com	(303) 761-3170
7	Baker Constructors / Nick Booms	nbooms@bakerbuildersco.com	(720) 883-2835
8			
9			
10			
11			
12			
13			
14			
15			
16			
17			

**Certificate Of Completion**

Envelope Id: 659BD2C995D24430A48584E459288B0F	Status: Completed
Subject: Complete with DocuSign: 23-143 Addend no1 10-26-23.pdf	
Source Envelope:	
Document Pages: 3	Signatures: 1
Certificate Pages: 1	Initials: 0
AutoNav: Disabled	Envelope Originator:
Envelope Stamping: Disabled	Patrick Hinterberger
Time Zone: (UTC-07:00) Mountain Time (US & Canada)	9500 Civic Center Drive
	Thornton, CO 80229
	Patrick.Hinterberger@ThorntonCO.gov
	IP Address: 199.117.212.4

**Record Tracking**

Status: Original	Holder: Patrick Hinterberger	Location: DocuSign
10/26/2023 4:43:24 PM	Patrick.Hinterberger@ThorntonCO.gov	

**Signer Events**

Patrick Hinterberger  
 Patrick.Hinterberger@ThorntonCO.gov  
 Sr. Contract Administrator  
 SHI OBO City of Thornton  
 Security Level: Email, Account Authentication (None)

**Signature**

DocuSigned by:  
  
 6DA8F281E4154C8...  
 Signature Adoption: Pre-selected Style  
 Using IP Address: 199.117.212.4

**Timestamp**

Sent: 10/26/2023 4:45:28 PM  
 Viewed: 10/26/2023 4:45:32 PM  
 Signed: 10/26/2023 4:45:41 PM  
 Freeform Signing

**Electronic Record and Signature Disclosure:**  
 Not Offered via DocuSign

In Person Signer Events	Signature	Timestamp
Editor Delivery Events	Status	Timestamp
Agent Delivery Events	Status	Timestamp
Intermediary Delivery Events	Status	Timestamp
Certified Delivery Events	Status	Timestamp
Carbon Copy Events	Status	Timestamp
Witness Events	Signature	Timestamp
Notary Events	Signature	Timestamp
Envelope Summary Events	Status	Timestamps
Envelope Sent	Hashed/Encrypted	10/26/2023 4:45:28 PM
Certified Delivered	Security Checked	10/26/2023 4:45:32 PM
Signing Complete	Security Checked	10/26/2023 4:45:41 PM
Completed	Security Checked	10/26/2023 4:45:41 PM
Payment Events	Status	Timestamps