

# CITY OF THORNTON

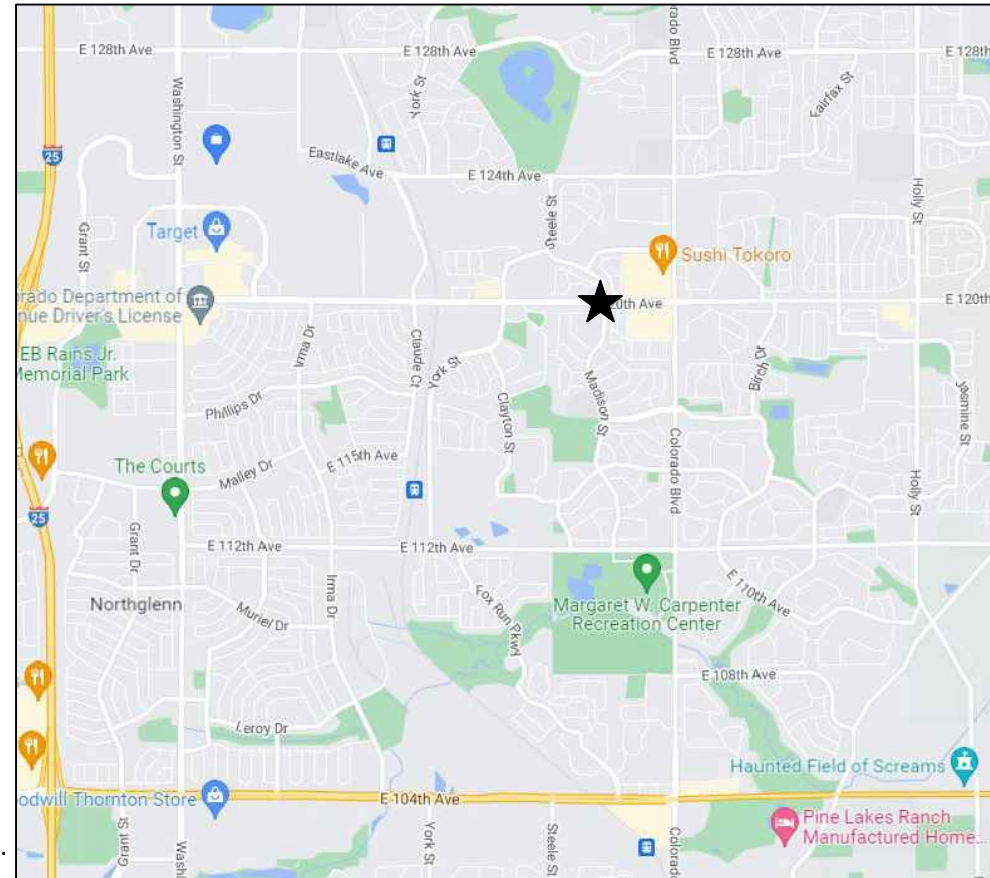


CITY OF THORNTON  
SURVEY SECTION

## 120TH AVENUE & MADISON STREET ADA RAMP REPLACEMENTS

### INDEX OF SHEETS

1. COVER SHEET
2. ADA RAMP REPLACEMENTS
3. DETAILS
4. DETAILS



★ - PROJECT LOCATION

INFRASTRUCTURE  
DEPARTMENT  
INFRASTRUCTURE  
ENGINEERING  
SECTOR  
ENGINEERING SERVICES  
DIVISION  
12450 WASHINGTON STREET  
THORNTON, COLORADO  
80241  
(720) 977-6210

**ADA RAMP REPLACEMENTS  
120TH AVE. & MADISON ST**

MARK	DATE	DESCRIPTION
CB	8/11/2022	100% RAMP DESIGN
CB	4/4/2022	50% RAMP DESIGN
BZ	1/26/2022	TOPO SURVEY

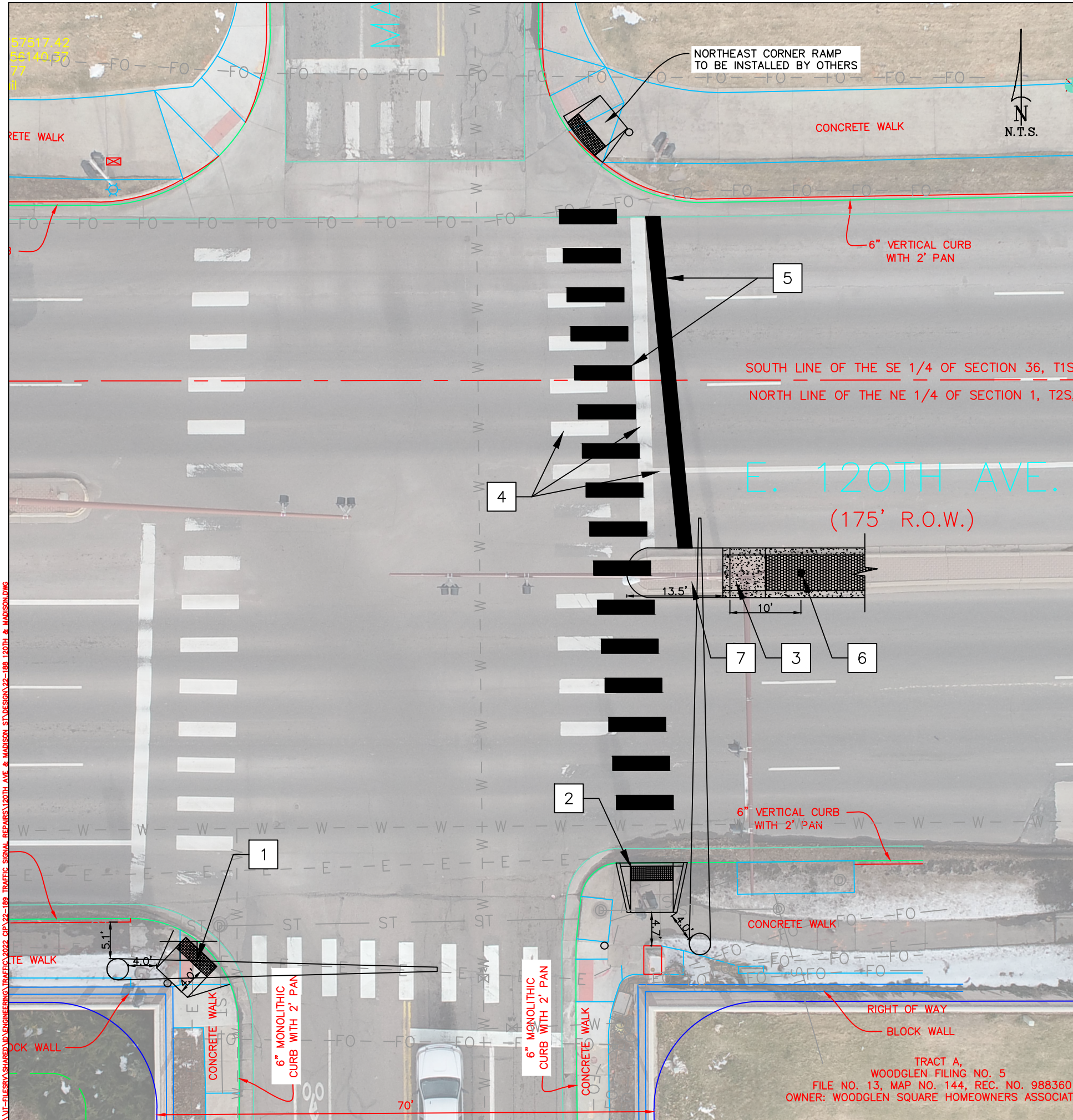
CAD DWG FILE:  
22-188 120TH & MADISON.DWG  
DRAWN BY: BZ  
CHECKED BY: SD SHEET TITLE  
DESIGNED BY:  
FIELD BOOK NO:

COVER SHEET

SHEET 1 OF 4

CALL UTILITY NOTIFICATION  
CENTER OF COLORADO  
1-800-922-1987  
OR 303-634-6700  
IN METRO DENVER  
CALL 2-BUSINESS DAYS IN ADVANCE  
BEFORE YOU DIG, GRADE, OR EXCAVATE  
FOR THE MARKING OF UNDERGROUND  
MEMBER UTILITIES

\\VT-FILES\SRV\SHARED\ENGINEERING\TRAFFIC\2022\_CIP\22-188\_TRAFFIC\_SIGNAL\_REPAIRS\120TH\_AVE\_&\_MADISON\_ST\DESIGN\22-188\_120TH\_&\_MADISON.DWG



**CONSTRUCTION NOTES**

- 1 INSTALL APEX STYLE ADA RAMP AT SOUTHWEST CORNER
- 2 INSTALL DIRECTIONAL STYLE ADA RAMP AT SOUTHEAST CORNER
- 3 MODIFY EAST LEG MEDIAN NOSE PER DETAIL 500-XA & 500-XB
- 4 REMOVE EAST LEG CROSSWALK, STOP BAR, EXCESS 8" SOLID WHITE LINE PAVEMENT MARKINGS
- 5 INSTALL EAST LEG CROSSWALK AND STOP BAR PAVEMENT MARKINGS (THERMOPLASTIC)
- 6 RESET EXISTING SIGN POST 10' FROM MEDIAN NOSE
- 7 PATCH BACK ASPHALT WITH HOT-MIX ASPHALT, MATCH EXISTING ASPHALT DEPTH



INFRASTRUCTURE DEPARTMENT  
 INFRASTRUCTURE ENGINEERING SECTOR  
 ENGINEERING SERVICES DIVISION  
 12450 WASHINGTON STREET  
 THORNTON, COLORADO 80241  
 (720) 977-6210

**ADA RAMP REPLACEMENTS  
 120TH AVE. & MADISON ST**

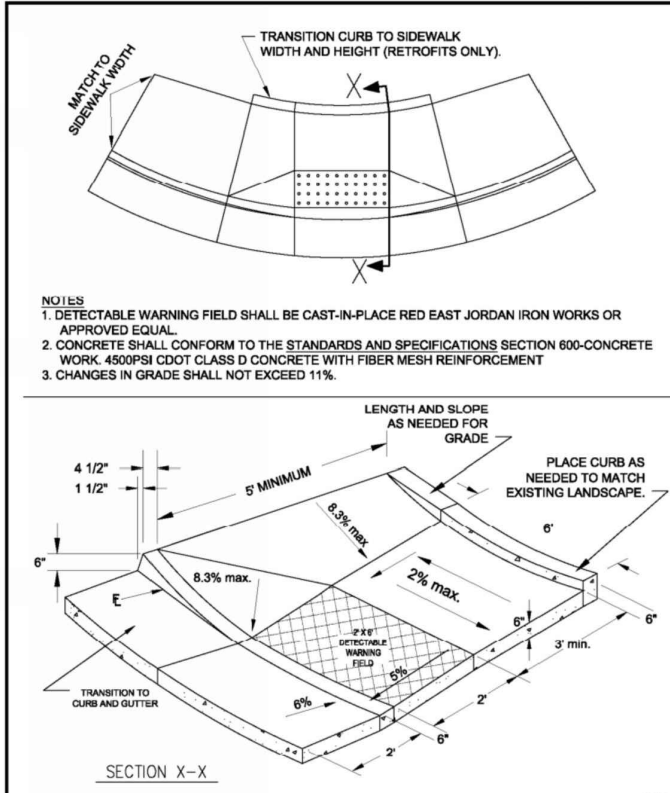
MARK	DATE	DESCRIPTION
CB	8/11/2022	100% RAMP DESIGN
CB	4/4/2022	50% RAMP DESIGN
BZ	1/26/2022	TOPO SURVEY

CAD DWG FILE:  
 22-188 120TH & MADISON.DWG  
 DRAWN BY: BZ  
 CHECKED BY: SD SHEET TITLE  
 DESIGNED BY:  
 FIELD BOOK NO:

ADA RAMP REPLACEMENT

I:\T-FILES\SHARED\ENGINEERING\TRAFFIC\2022\_CIP\22-188\_TRAFFIC\_SIGNAL\_REPAIRS\120TH\_AVE\_&\_MADISON\_ST\DESIGN\22-188\_120TH\_&\_MADISON.DWG

TRACT A,  
 WOODGLEN FILING NO. 5  
 FILE NO. 13, MAP NO. 144, REC. NO. 988360  
 OWNER: WOODGLEN SQUARE HOMEOWNERS ASSOCIATI



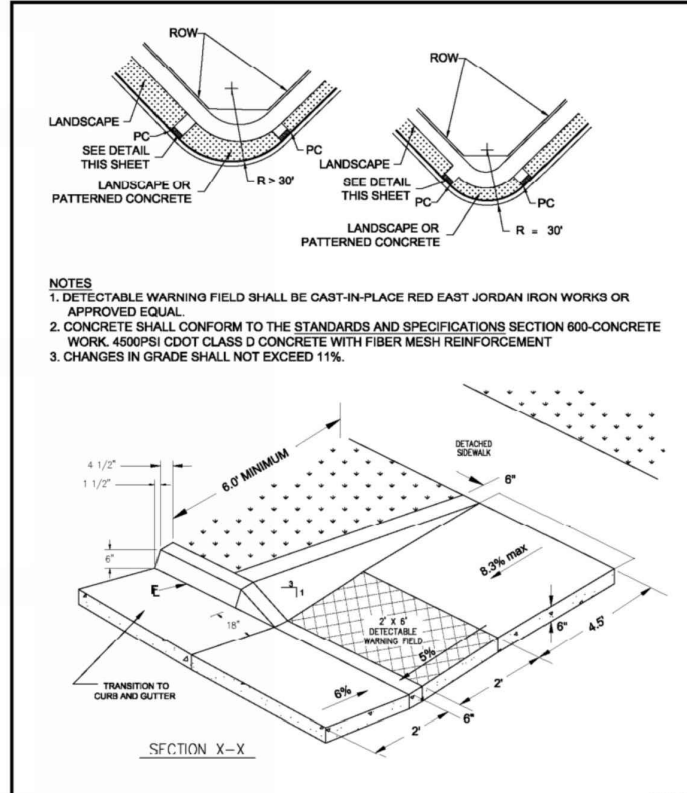
N.T.S.

CITY OF THORNTON, COLORADO STANDARDS & SPECIFICATIONS

**TYPE I SIDEWALK RAMP – LOCAL STREETS (APEX)**

ISSUED: APRIL 2010  
REVISED:

DRAWING NO. 500-12



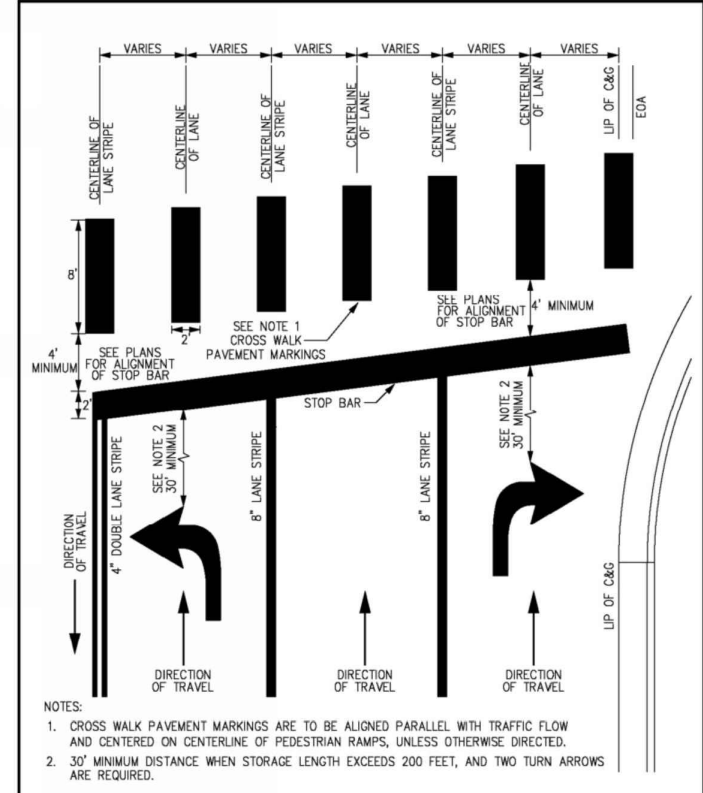
N.T.S.

CITY OF THORNTON, COLORADO STANDARDS & SPECIFICATIONS

**TYPE II SIDEWALK RAMP – COLLECTOR/ARTERIAL STREETS (DIRECTIONAL)**

ISSUED: APRIL 2010  
REVISED:

DRAWING NO. 500-13



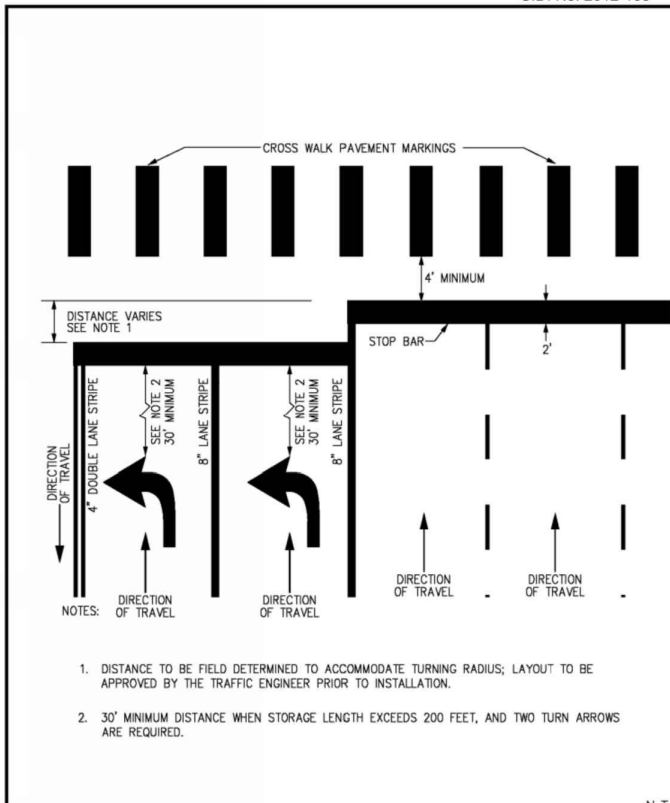
N.T.S.

CITY OF THORNTON, COLORADO STANDARDS & SPECIFICATIONS

**CROSSWALK & STOP BAR PAVEMENT MARKING DETAIL**

ISSUED: FEBRUARY 2005  
REVISED: APRIL 2010

DRAWING NO. 700-16A



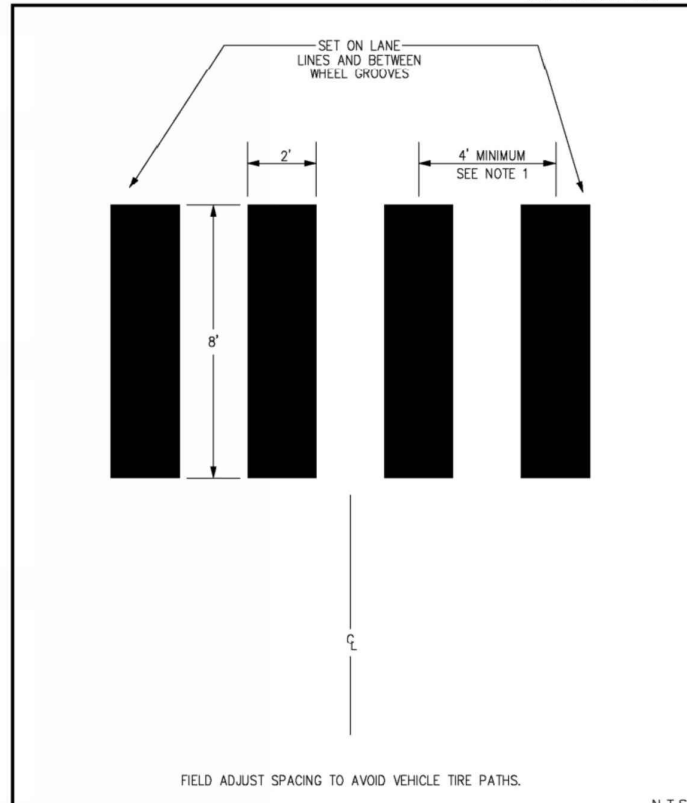
N.T.S.

CITY OF THORNTON, COLORADO STANDARDS & SPECIFICATIONS

**STOP BAR LAYOUT FOR DOUBLE LEFT TURNS**

ISSUED: FEBRUARY 2005  
REVISED: APRIL 2010

DRAWING NO. 700-16B



N.T.S.

CITY OF THORNTON, COLORADO STANDARDS & SPECIFICATIONS

**CROSSWALK PAVEMENT MARKING DETAIL**

ISSUED: FEBRUARY 2003  
REVISED: APRIL 2010

DRAWING NO. 700-18



CITY OF THORNTON SURVEY SECTION

INFRASTRUCTURE DEPARTMENT  
INFRASTRUCTURE ENGINEERING SECTOR  
ENGINEERING SERVICES DIVISION  
12450 WASHINGTON STREET  
THORNTON, COLORADO 80241  
(720) 977-6210

**ADA RAMP REPLACEMENTS  
120TH AVE. & MADISON ST**

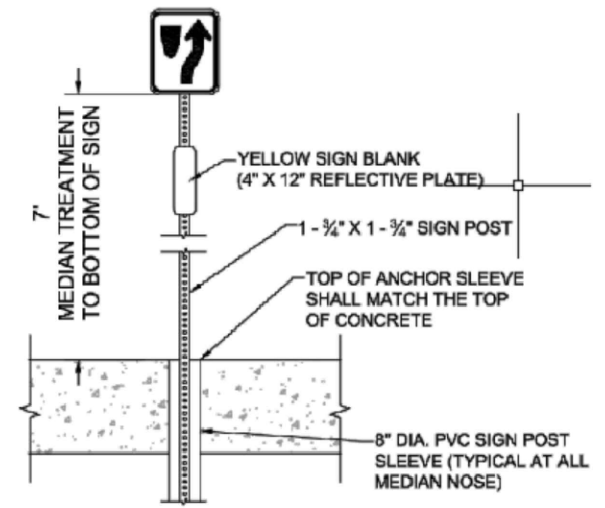
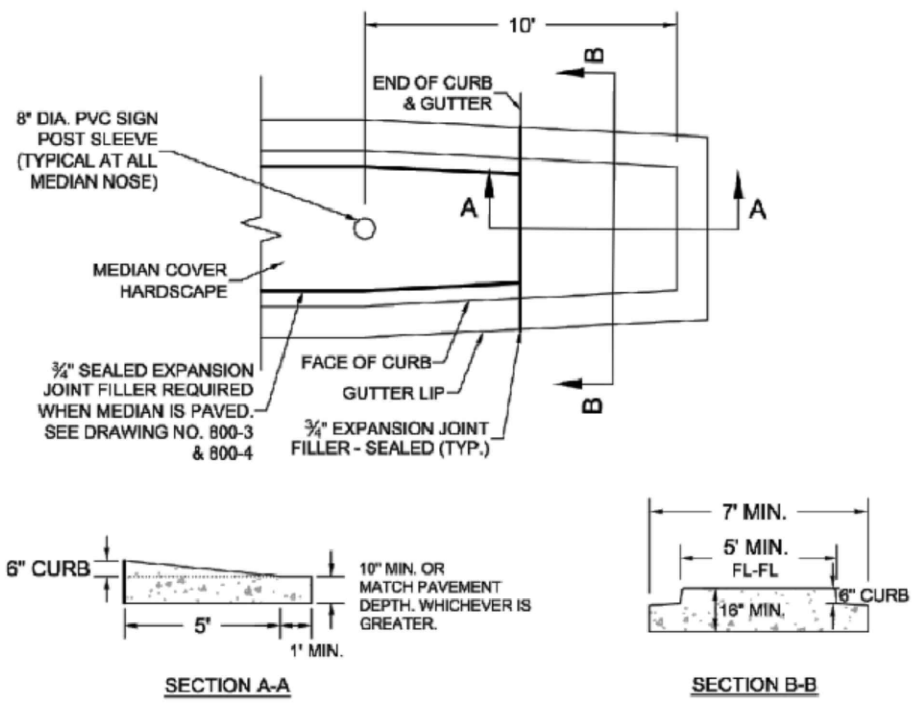
MARK	DATE	DESCRIPTION
CB	8/11/2022	100% RAMP DESIGN
CB	4/4/2022	50% RAMP DESIGN
BZ	1/26/2022	TOPO SURVEY

CAD DWG FILE:  
22-188 120TH & MADISON.DWG  
DRAWN BY: BZ  
CHECKED BY: SD SHEET TITLE  
DESIGNED BY:  
FIELD BOOK NO:

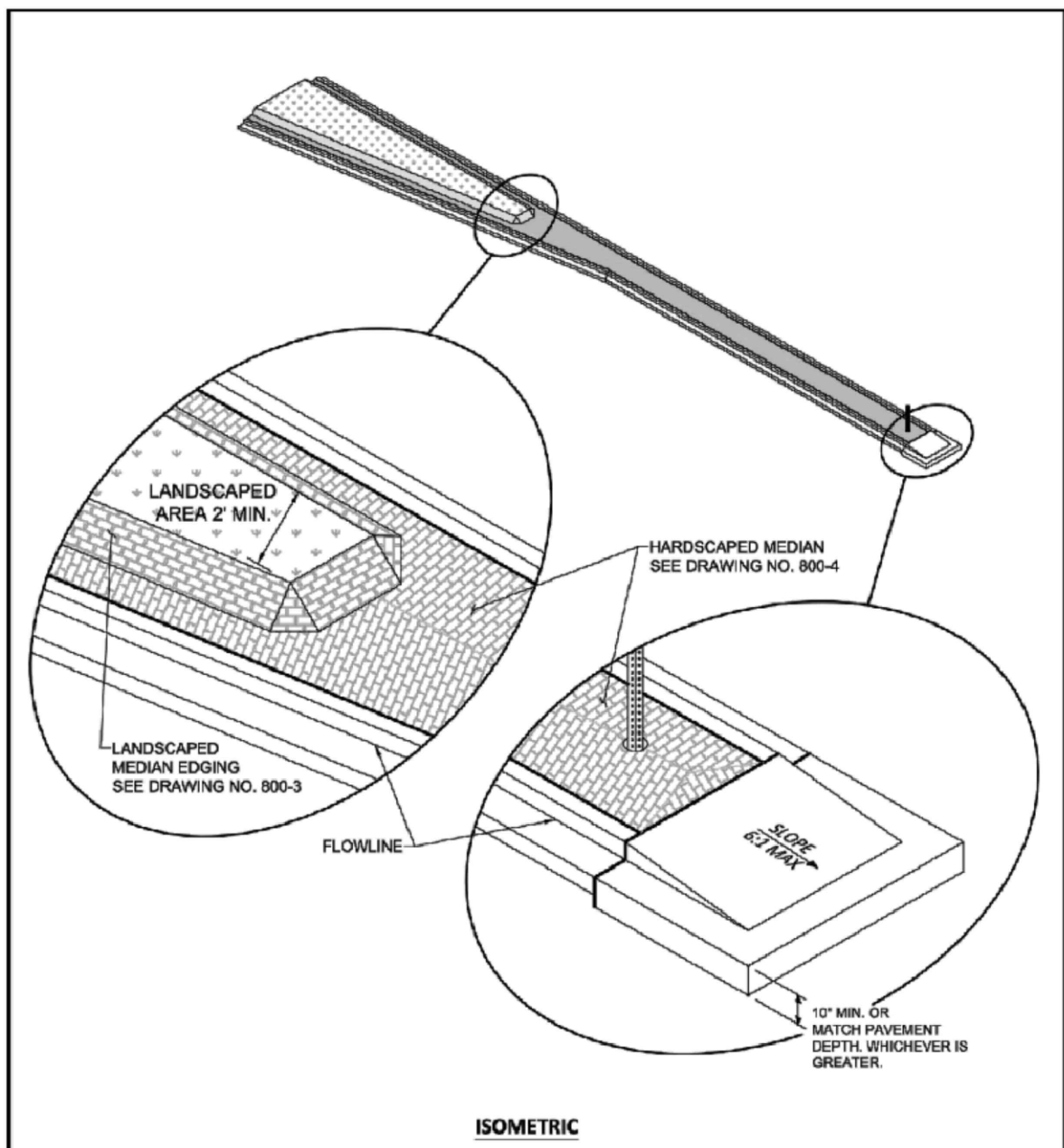
DETAILS


X:\IT-FILES\SHARED\ENGINEERING\TRAFFIC\2022\_CIP\22-188\_TRAFFIC\_SIGNAL\_REPAIRS\120TH\_AVE\_&\_MADISON\_ST\DESIGN\22-188\_120TH\_&\_MADISON.DWG

\\VT-FILES\SRV\SHARED\ENGINEERING\TRAFFIC\2022\_CIP\22-188\_TRAFFIC\_SIGNAL\_REPAIRS\120TH\_AVE & MADISON\_ST\DESIGN\22-188\_120TH & MADISON.DWG



	<b>CITY OF THORNTON, COLORADO STANDARDS &amp; SPECIFICATIONS</b>	ISSUED: AUGUST 2017 REVISED: ----
	<b>MEDIAN NOSE</b>	DRAWING NO. 500-XA



	<b>CITY OF THORNTON, COLORADO STANDARDS &amp; SPECIFICATIONS</b>	ISSUED: AUGUST 2017 REVISED: ----
	<b>MEDIAN NOSE</b>	DRAWING NO. 500-XB



**INFRASTRUCTURE DEPARTMENT**  
 INFRASTRUCTURE ENGINEERING SECTOR  
 ENGINEERING SERVICES DIVISION  
 12450 WASHINGTON STREET  
 THORNTON, COLORADO 80241  
 (720) 977-6210

**ADA RAMP REPLACEMENTS  
120TH AVE. & MADISON ST**

MARK	DATE	DESCRIPTION
CB	8/11/2022	100% RAMP DESIGN
CB	4/4/2022	50% RAMP DESIGN
BZ	1/26/2022	TOPO SURVEY

CAD DWG FILE:  
 22-188\_120TH & MADISON.DWG  
 DRAWN BY: BZ  
 CHECKED BY: SD SHEET TITLE  
 DESIGNED BY:  
 FIELD BOOK NO.:

DETAILS