

ADDENDUM NO. ONE

CDBG ADA RAMPS

PROJECT NO. 21-79B

CITY OF THORNTON, CO

TO: Prospective Bidders and all others concerned

DATE: November 10, 2022

PURPOSE: To provide additional information and clarification to the solicitation documents for the above-referenced Project.

1. The following shall Add to, Modify, and/or Delete portions of the Project Manual and Drawings for the Project-noted above.

A. The Project Manual shall be modified as follows:

- Bidders shall add the attached drawings to the end of the “TECHNICAL SPECIFICATIONS/DRAWING DETAILS” section for consideration in Bidding.

2. The following questions and answers are provided for additional clarification to the Contract Documents.

Question 1: “What is the extent of the reconstruction. Is there a drawing that shows the extent of the work? I see the details they both show ramps with cross pans. What are you guys in visioning?”

Answer 1: Please reference the attached drawings titled, “120TH AVENUE & MADISON STREET ADA RAMP REPLACEMENTS” which have been included in the Project Manual via this Addendum One, as well as, provided under separate cover.

3. This Addendum becomes part of the Contract Documents. All other conditions and requirements of the Contract Documents will remain unchanged. Receipt of this Addendum must be acknowledged in the space provided on the Bid Proposal Form in the Project Manual.

END OF ADDENDUM NO. ONE



Keith Griess
Contract Administrator

Date

THIS PAGE INTENTIONALLY LEFT BLANK



CONSTRUCTION NOTES

- 1 INSTALL APEX STYLE ADA RAMP AT SOUTHWEST CORNER
- 2 INSTALL DIRECTIONAL STYLE ADA RAMP AT SOUTHEAST CORNER
- 3 MODIFY EAST LEG MEDIAN NOSE PER DETAIL 500-YA & 500-YB
- 4 REMOVE EAST LEG CROSSWALK, STOP BAR, EXCESS 8" SOLID WHITE LINE PAVEMENT MARKINGS
- 5 INSTALL EAST LEG CROSSWALK AND STOP BAR PAVEMENT MARKINGS (THERMOPLASTIC)
- 6 RESET EXISTING SIGN POST 10' FROM MEDIAN NOSE
- 7 PATCH BACK ASPHALT WITH HOT-MIX ASPHALT, MATCH EXISTING ASPHALT PATCH DEPTH

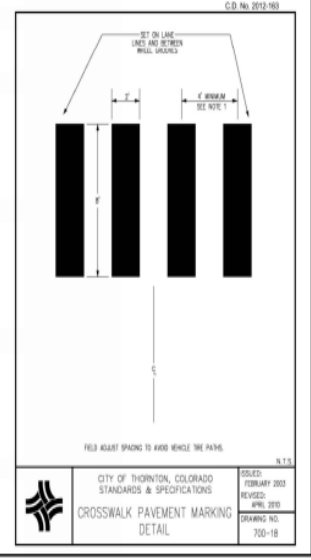
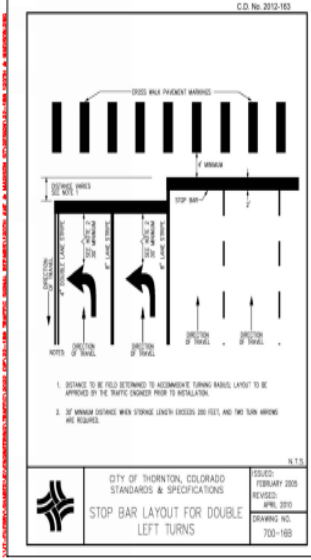
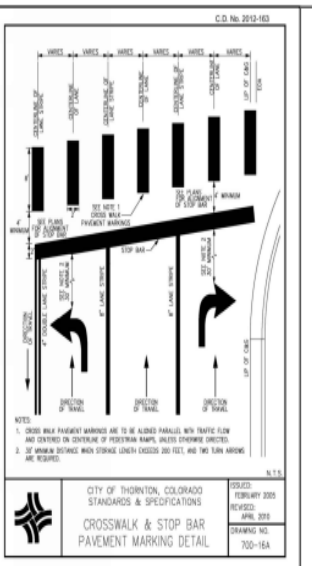
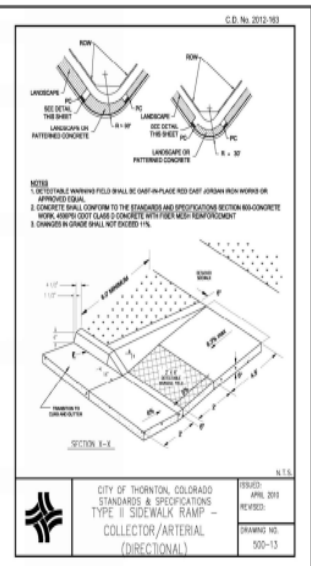
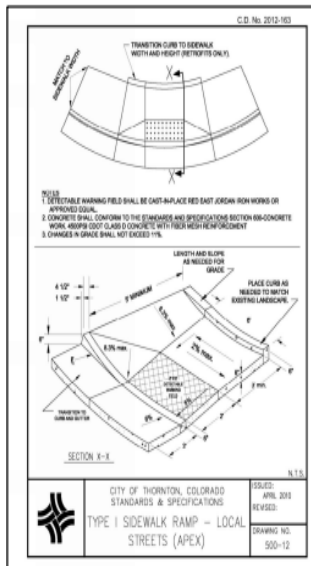


CITY OF THORNTON
SURVEY SECTION

INFRASTRUCTURE
DEPARTMENT
INFRASTRUCTURE
CONSTRUCTION
SECTION
ENGINEERING SERVICES
DIVISION
1200 WASHINGTON STREET
THORNTON, COLORADO
80242

**ADA RAMP REPLACEMENTS
120TH AVE. & MADISON ST**

CD	8/11/2022	20% RAMP DESIGN
CD	4/4/2022	20% RAMP DESIGN
BY	1/26/2022	20% RAMP DESIGN
BY	BY	DESCRIPTION
CAD DRAW FILE		
12-188 120th & MADISON		
DRAWN BY	BY	SHEET TITLE
CHECKED BY	BY	
DESIGNED BY		
FIELD BOOK NO.		
ADA RAMP REPLACEMENT		
SHEET 2 OF 4		



CITY OF THORNTON
 WATER DIVISION

INFRASTRUCTURE DEPARTMENT
 INFRASTRUCTURE ENGINEERING SECTION
 ENGINEERING SERVICES DIVISION
 TRANSPORTATION & STREET THORNTON, COLORADO
 80010
 (303) 471-4113

ADA RAMP REPLACEMENTS
 120TH AVE. & MADISON ST

NO.	DATE	DESCRIPTION
01	8/11/2009	ADA RAMP DESIGN
02	4/14/2010	ADA RAMP DESIGN
03	1/28/2012	ADP SURVEY

DATE DRAWN FILE:
 02-18B 120th & MADISON ST
 DRAWN BY: ED
 CHECKED BY: ED
 SHEET TITLE:
 DESIGNED BY:
 FIELD BOOK NO:

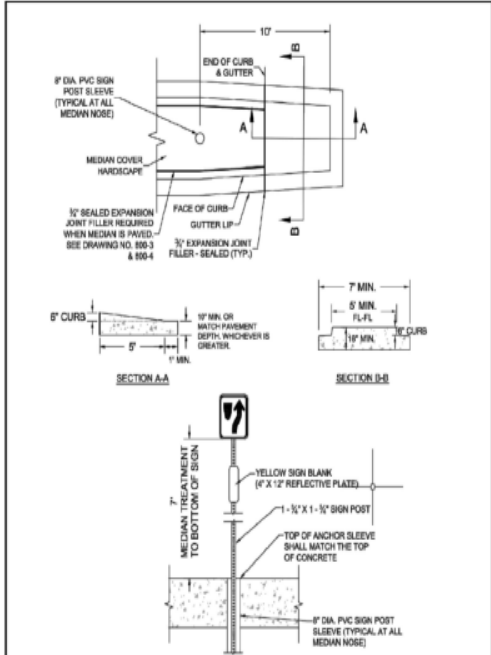
DETAILS

SHEET 3 OF 4



INFRASTRUCTURE DEPARTMENT
 INFRASTRUCTURE ENGINEERING SECTION
 ENGINEERING SERVICES DIVISION
 10000 WASHINGTON STREET
 THORNTON, CO 80242
 (303) 877-8110

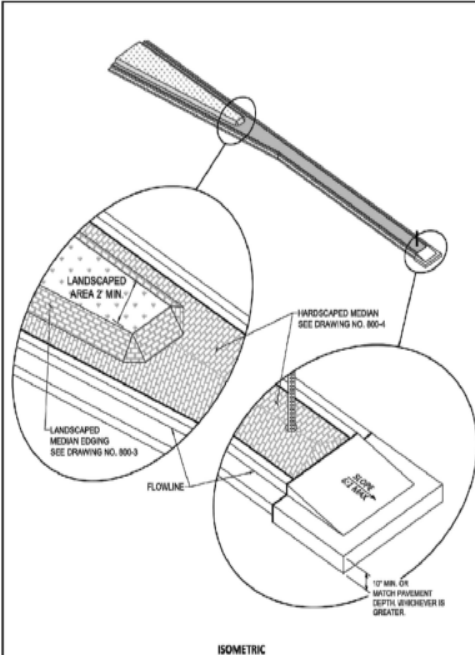
ADA RAMP REPLACEMENTS
 120TH AVE. & MADISON ST



CITY OF THORNTON, COLORADO
 STANDARDS & SPECIFICATIONS

MEDIAN NOSE

ISSUED: AUGUST 2017
 REVISED: ---
 DRAWING NO. 500-XA



CITY OF THORNTON, COLORADO
 STANDARDS & SPECIFICATIONS

MEDIAN NOSE

ISSUED: AUGUST 2017
 REVISED: ---
 DRAWING NO. 500-XB

NO.	DATE	DESCRIPTION
01	8/17/2022	001 RAMP DESIGN
02	4/4/2022	001 RAMP DESIGN
03	1/26/2022	001 RAMP DESIGN
04		
05		
06		
07		
08		
09		
10		
11		
12		
13		
14		
15		
16		
17		
18		
19		
20		
21		
22		
23		
24		
25		
26		
27		
28		
29		
30		
31		
32		
33		
34		
35		
36		
37		
38		
39		
40		
41		
42		
43		
44		
45		
46		
47		
48		
49		
50		
51		
52		
53		
54		
55		
56		
57		
58		
59		
60		
61		
62		
63		
64		
65		
66		
67		
68		
69		
70		
71		
72		
73		
74		
75		
76		
77		
78		
79		
80		
81		
82		
83		
84		
85		
86		
87		
88		
89		
90		
91		
92		
93		
94		
95		
96		
97		
98		
99		
100		